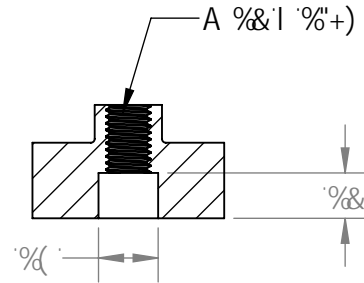
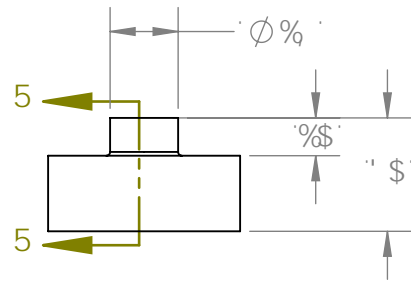
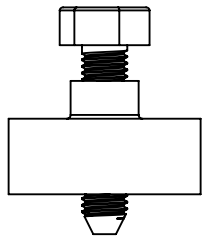
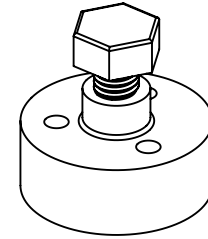
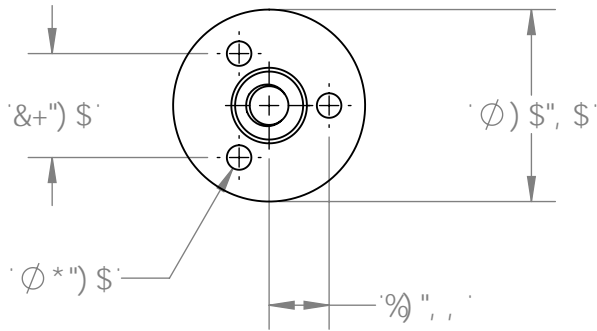


&

%

6

6



G97 H C B 5!5

5

5

DFCDF-45FM5B8 7CB: 89BH5@
 K K K "GHJ 9GK CF?G<CD7 c1?
 5J5 456@: CF: F99 8 GF 4I HC B

		I B@GGCH: 9FK 69 GD97 ≠ 98.		B5A 9	85H9	
		8 A 9BG€BG-B A A g	8F5K B	GHJ 9		
			7 < 97 ? 98			HH@.
			9B: 5DDF"			J 9@ GC @9L : @MK < 99@
			A :: 5DDF"			DI @@9F
		BH9DF9H: 9CA 9F-7 HC @9F5B7 B: D9F.	E "5"			
		A 5HF-5@	7 CA A 9BHG			
		GH99@				
	B9LH5GGM	I G98 CB				GA9 8K ; ""BC "
						F9J
						5 GC @9L : @MK < 99@DI @@9F
	5DD@7 5HC B	8C B CHG7 5@8F5K B:				G< 99H%C : %

&

%